



Model: PC4000 Serial #: All	Mar. 30, 2020
Product Bulletin # PC-045 v 1.0	

PC4000 Approved Lifting Points



Note: This document is for information only and is not intended to instruct users for proper lifting technique. Contact RIGLINE 24/7™ Support for additional information.

Scope

This document outlines the designed lifting points for the Automated Power Catwalk model PC4000. There are two scenarios considered in this document:

- The PC4000 Short is shipped as one piece with the secondary skid resting on the main skid.
- The PC4000 Long is shipped with the main and secondary skids separately.

Catwalk Properties

Tables 1 to 3 below list PC4000 information of estimated weights, Center of Gravity (CoG), and Safe Working Load (SWL) of the approved lifting points.

Table 1: PC4000 Components Approximate Weights

	Main Skid	Secondary Skid	Total Weight
PC4000 Short – Single Shipping Configuration	61,800 lb (28,000 kg)	9,900 lb (4,500 kg)	71,700 lb (32,500 kg)
PC4000 Long – Separate Shipping Configuration	64,500 lb (29,250 kg)	9,900 lb (4,500 kg)	74,400 lb (33,750 kg)



Model: PC4000	Mar. 30, 2020
Serial #: All	

Table 2: PC4000 Approximate Center of Gravity (CoG)

	Distance from Ramp End to Flare End	Approx. Distance CoG to Ramp End	Approx. Distance CoG to Flare End	Approx. Distance CoG to Ground Level
PC4000 Short – Single Shipping Configuration	717.25" (18.22 m)	348.75" (8.86 m)	369" (9.37 m)	32.9" (0.84 m)
PC4000 Long – Separate Shipping Configuration	717.50" (18.22 m)	356.50" (9.06 m)	361" (9.17 m)	34" (0.86 m)

Table 3: PC4000 Approved Lifting Points SWL

	Main Skid SWL	Secondary Skid SWL	Total SWL
Main and Secondary Skids Shipped Together (4 Lift Points)	17,925 lb. (Each) (8,130 kg)	N/A	71,700 lb. (32,500 kg)
Main and Secondary Skids Shipped Separately (8 Lift Points)	16,125 lb. (Each) (7,300 KG)	2,475 lb. (Each) (1,100 KG)	74,400 lb. (33,750 KG)



Note: Install slings so that the load is distributed evenly between the DS and ODS.

PC 4000 Single Shipping Configuration

Main and Secondary Skids Shipped as One Piece

When the PC4000 is transported as one solid piece, the only approved lifting points are the ramp end roller and the lifting pipes on the main skid flare end. See Figure 1 on page 3.



Caution! DO NOT use the secondary skid lifting pipes when attached to the primary skid or any other points besides approved lifting points shown in Figure 1 on page 3.

For further details contact RIGLINE 24/7™ Support.

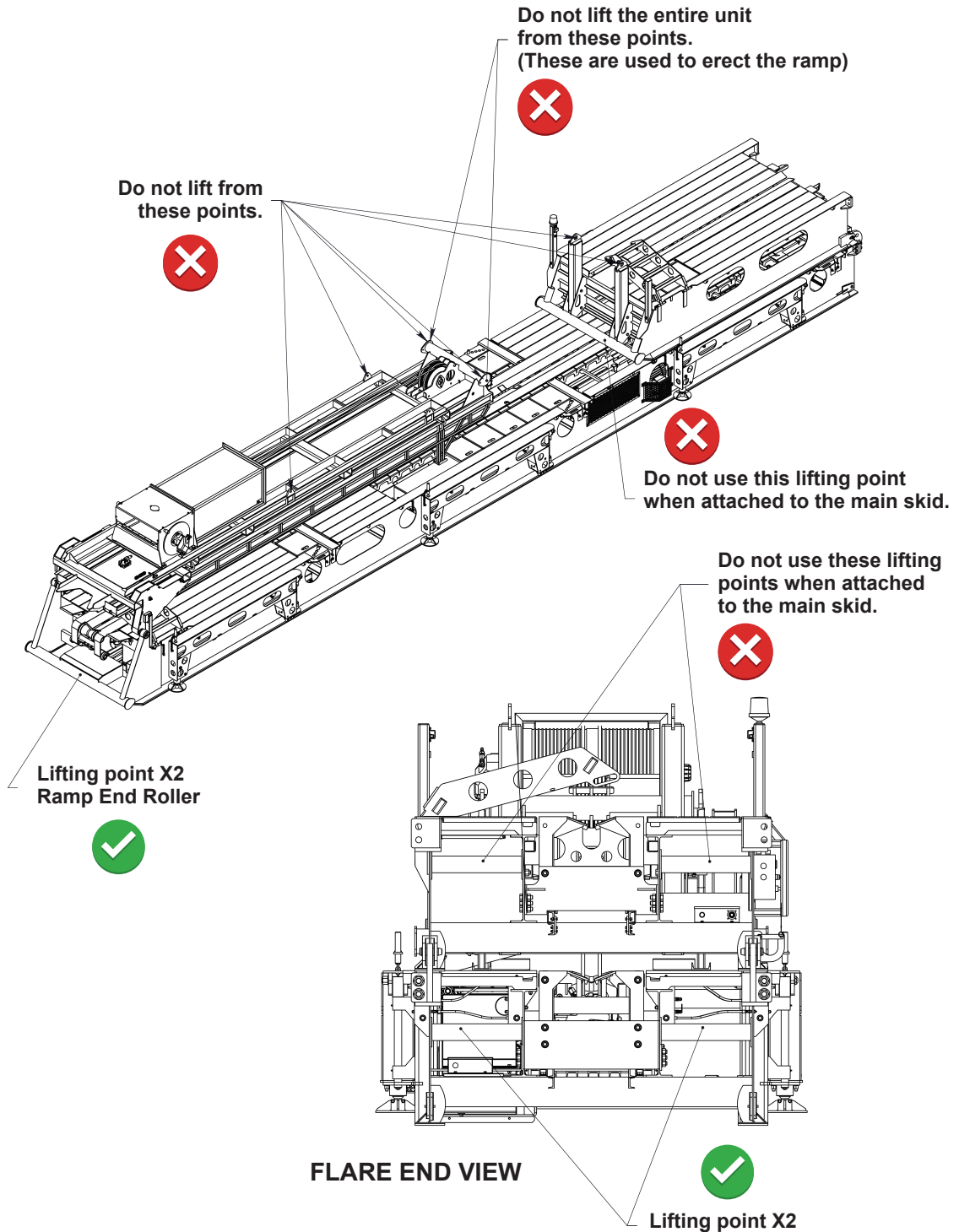


Figure 1: PC4000 Short – Single Shipping Configuration



Model: PC4000 Serial #: All	Mar. 30, 2020
--------------------------------	---------------

PC4000 Separate Shipping Configuration

Main and Secondary Skids Shipped Individually

When the PC4000 is transported with the main and secondary skids shipped separately, the only approved lifting points are listed below. See Figure 2 on page 5.

Main Skid

- On the ramp end roller and the lifting pipes on the main skid flare end.

Secondary Skid

- Flare end roller and lifting pipes on the secondary skid.



Caution! DO NOT use any other points besides approved lifting points shown in Figure 2 on page 5.

For further details contact RIGLINE 24/7™ Support.

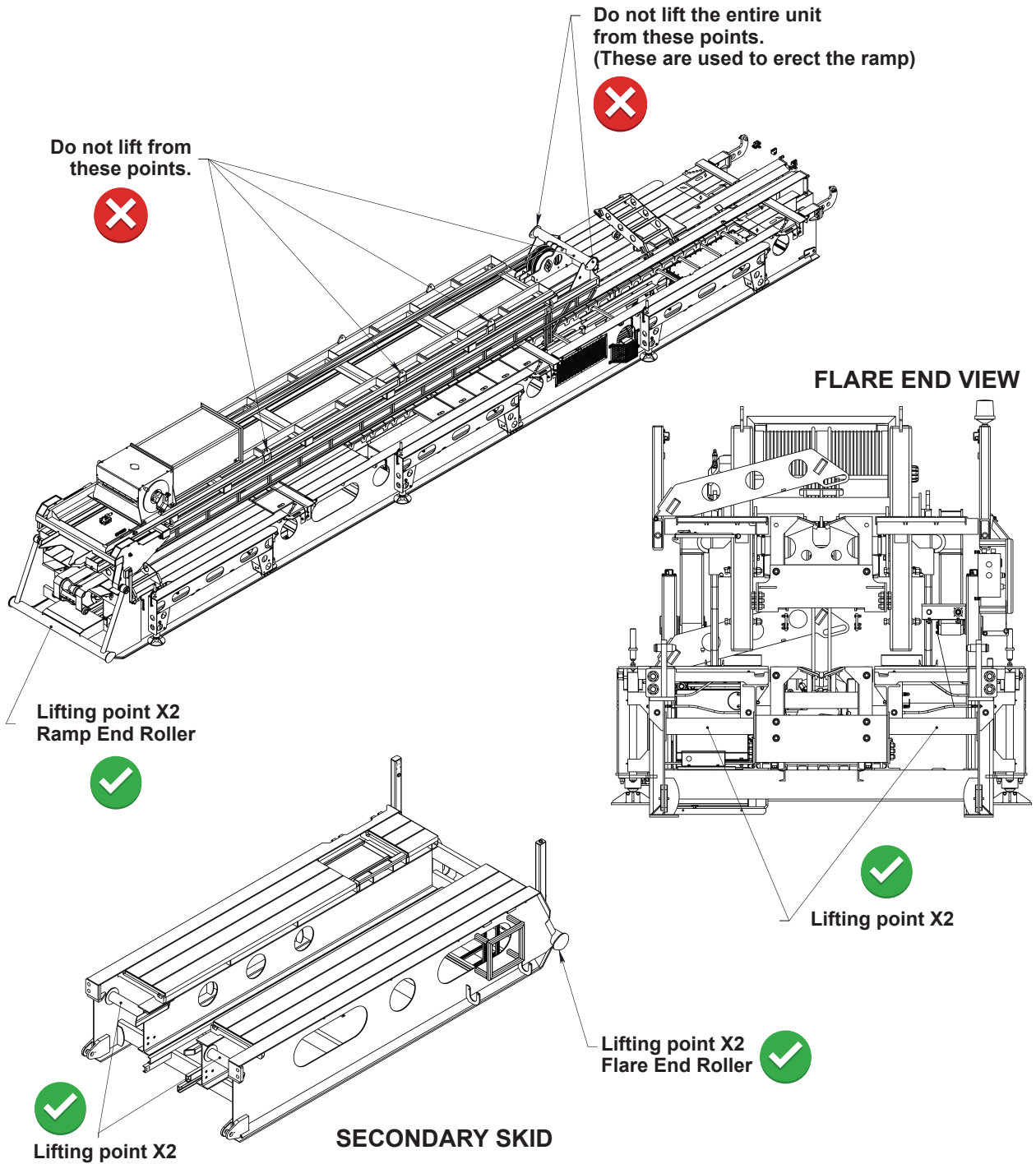


Figure 2: PC4000 Long – Separate Shipping Configuration