



Model: PC3000	September 5, 2013
Serial #: See Models Impacted section	
Product Bulletin # Catwalk 31	

PC3000 Guard for Carrier Flare End Gap

Models Impacted

Canrig Automated Catwalk Model PC3000 with 26" (PC3000-26) or 42" (PC3000-42) Deck, Serial Numbers PM3000–1001 to PM3000–1160, and 300158–300390.

Issue

When catwalks installed with adjustable ramps are at a steep angle, the carrier rests further forward in the bed than at shallower ramp angles. This creates a gap between the flare end of the carrier and the flare end of the catwalk. An operator could accidentally step into this potentially hazardous opening.

A guard should be installed to conceal the opening between the end of the carrier and the catwalk frame. The catwalk end panels and the hydraulic tank guard must be modified to allow the guard to be bolted in place.

Recommendation

Two installation kits are now available from Canrig, one for each size deck. Contact RigLine 24/7™ Support to order and arrange for installation of one of the following:

- Canrig Kit No. AY51075 for PC3000-26
- Canrig Kit No. AY51076 for PC3000-42



Product: PC3000	September 5, 2013
Version: See Models	
Impacted section	

Parts Lists

Contents of each kit are as follows.

Canrig Kit No. AY51075 for PC3000-26

Table 1 lists items included in Canrig PC3000-26 Guard for Carrier Flare End Gap Kit No. AY51075.

Table 1: Parts List Canrig Kit No. AY51075 for PC3000-26

Item	Qty	U/M	Part No.	Description
1	1	EA	DT51012	GUARD, FLARE END GAP, CARRIAGE, PC3000
2	8	EA	FW-0312-A	WASHER, F, 5/16, PLAIN, TYPE A
3	4	EA	HH-0312NC-0125-GR8	CAPSCREW, HEX HD, 5/16-18UNC x 1.25, GR8
4	4	EA	LN-0312-GR8	LOCKNUT, 5/16-18UNC, GR8, STOVER
5	4	EA	LW-0312-HS	LOCKWASHER, 5/16, HELICAL SPRING
R01	1	EA	EP-1000173	LOCTITE® THREADLOCKER BLUE 242®
R02	1	EA	M108681	DRILL BIT, 3/8

Canrig Kit No. AY51076 for PC3000-42

Table 2 lists items included in Canrig PC3000-42 Guard for Carrier Flare End Gap Kit No. AY51076.

Table 2: Parts List Canrig Kit No. AY51076 for PC3000-42

Item	Qty	U/M	Part No.	Description
1	1	EA	DT51013	GUARD, FLARE END GAP, CARRIAGE, PC3000
2	8	EA	FW-0312-A	WASHER, F, 5/16, PLAIN, TYPE A
3	4	EA	HH-0312NC-0125-GR8	CAPSCREW, HEX HD, 5/16-18UNC x 1.25, GR8
4	4	EA	LN-0312-GR8	LOCKNUT, 5/16-18UNC, GR8, STOVER
5	4	EA	LW-0312-HS	LOCKWASHER, 5/16, HELICAL SPRING
R01	1	EA	EP-1000173	LOCTITE® THREADLOCKER BLUE 242®
R02	1	EA	M108681	DRILL BIT, 3/8

Installation

1. Disconnect electrical power. Follow local lockout-tagout procedures.
2. Drill two 3/8" thru-holes in the HPU tank side guard as dimensioned (Figure 1).

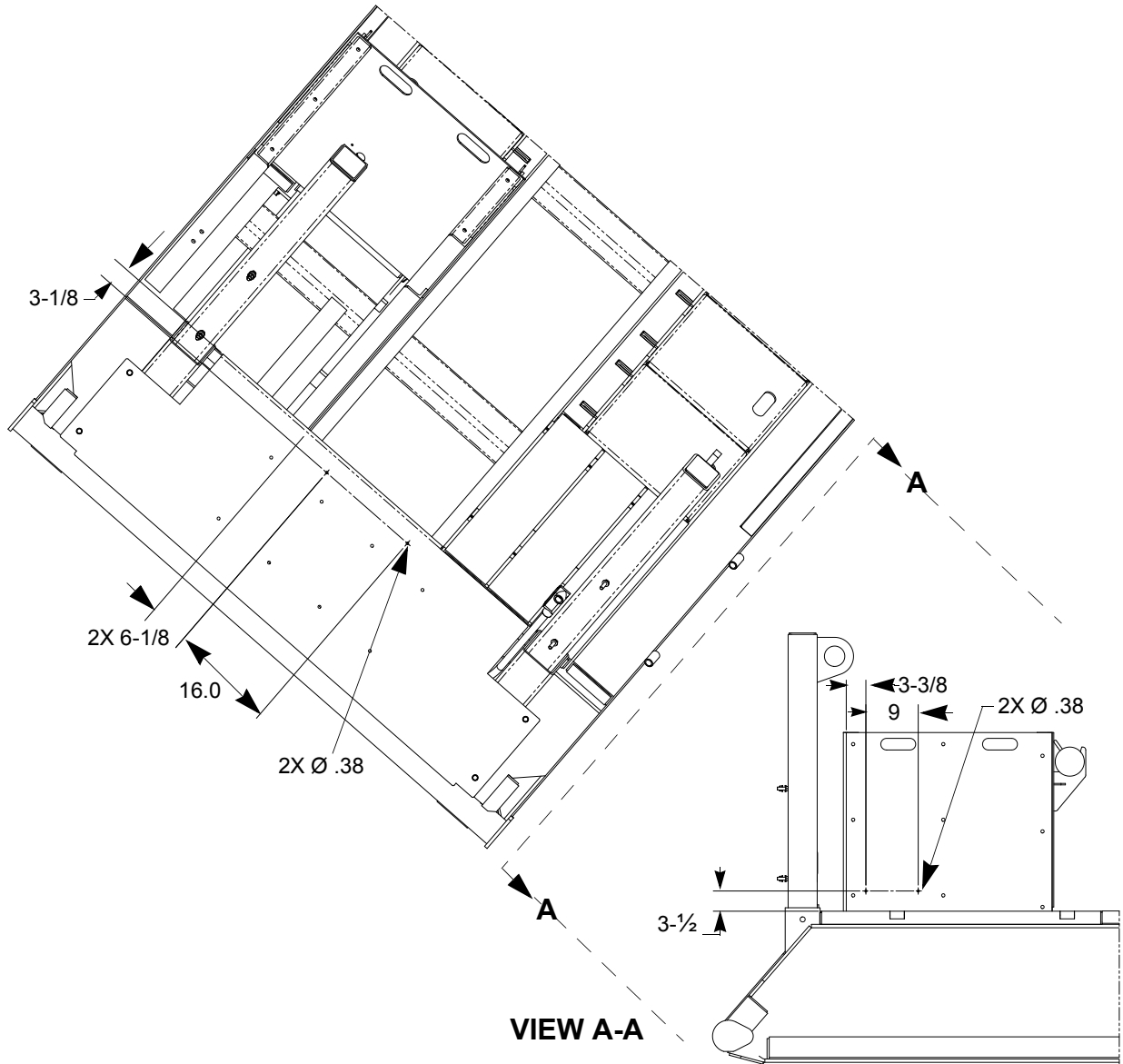


Figure 1: Angle View (Reference Drawings AY51075, AY51076)

3. Drill two 3/8" thru-holes in the ramp end guard as dimensioned.
4. Install the carrier gap guard with the included hardware and adhesive (Figure 2).

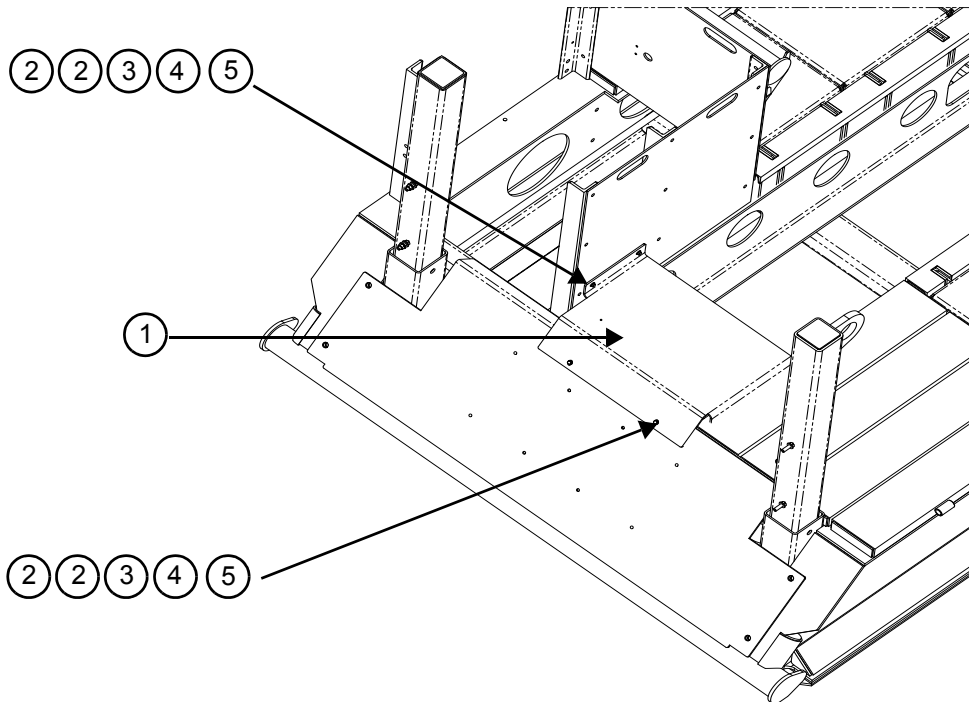


Figure 2: Top View (Reference Drawings AY51075, AY51076)

5. Follow local procedures for removal of lockout-tagout status.