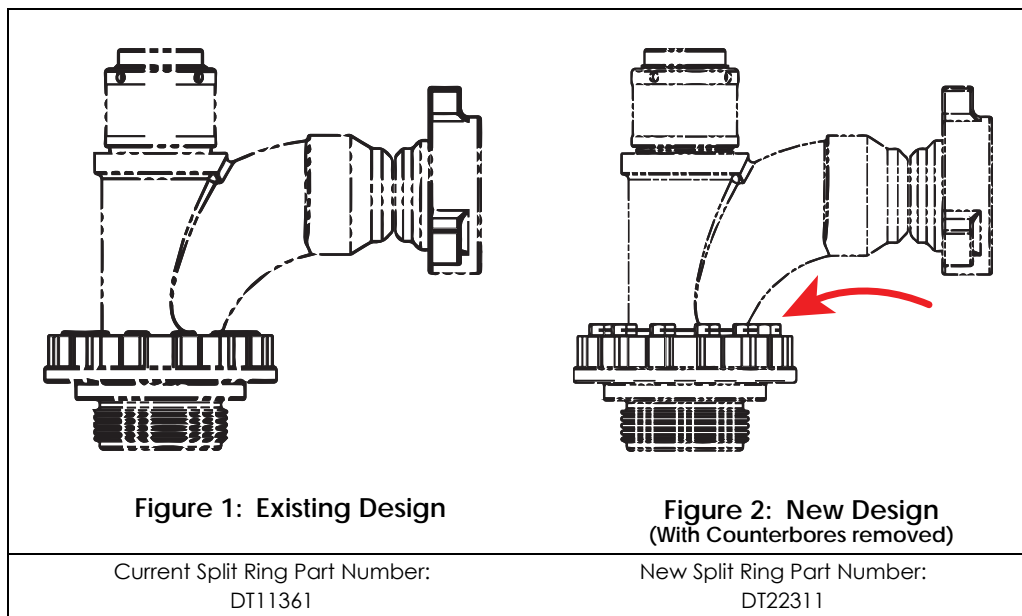


## Split Ring Upgrade

Canrig has an alternate design for the 5000 psi, 3" bore mudline split ring used in the 175, 275, 350, and 500T top drives. The new design can replace the existing split ring and will allow for secondary retention of the mounting bolts by eliminating the counterbore and allowing access to the bolt heads.



The new design will require different hardware for installation due to the removed counterbores. Kits have been created to supply the necessary component, which include:

- Split Ring
- Capscrews
- Lockwashers
- Safety Wire
- Ferrules

Top Drive Model	Split Ring Kit Part Number
175T, 350T, 500T	AY21894
275T	AY21895

For proper installation, please ensure the following:

1. Orient the split in the split ring so that the joint is at 90° to the direction that the mudline points.

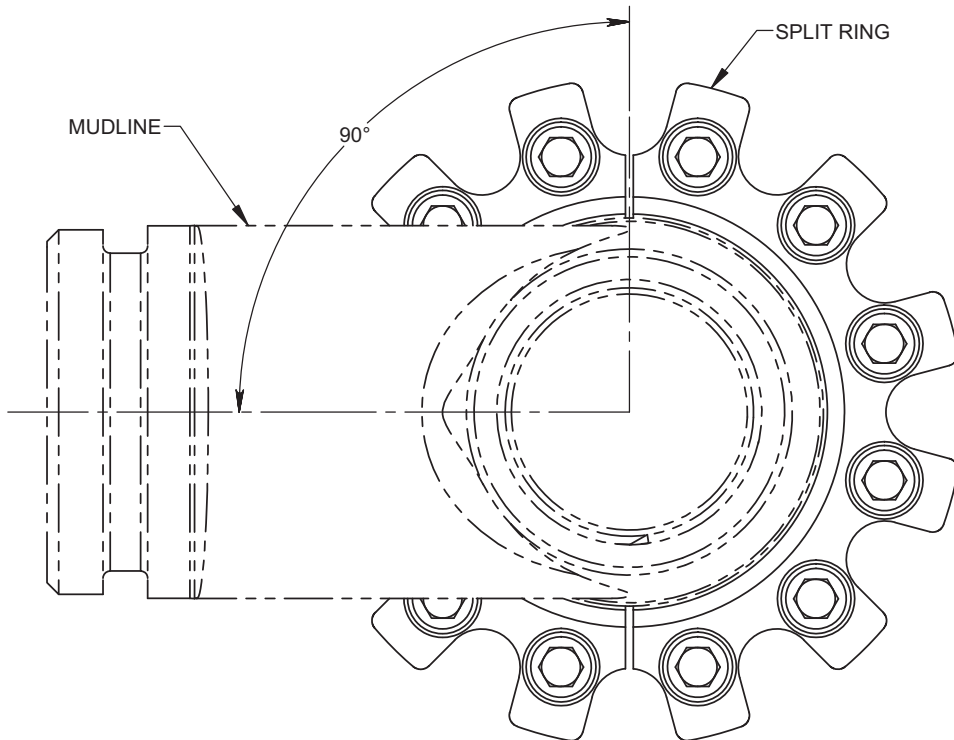


Figure 3: Split Ring Orientation

2. Apply Loctite 242 threadlocker to capscrews.

3. Following the torque sequence indicated in Figure 4, torque the capscrews in two passes. In the first pass, apply 100 ft-lb torque to the capscrews. In the second pass, apply 350 ft-lb of torque. See Canrig ENG 725.

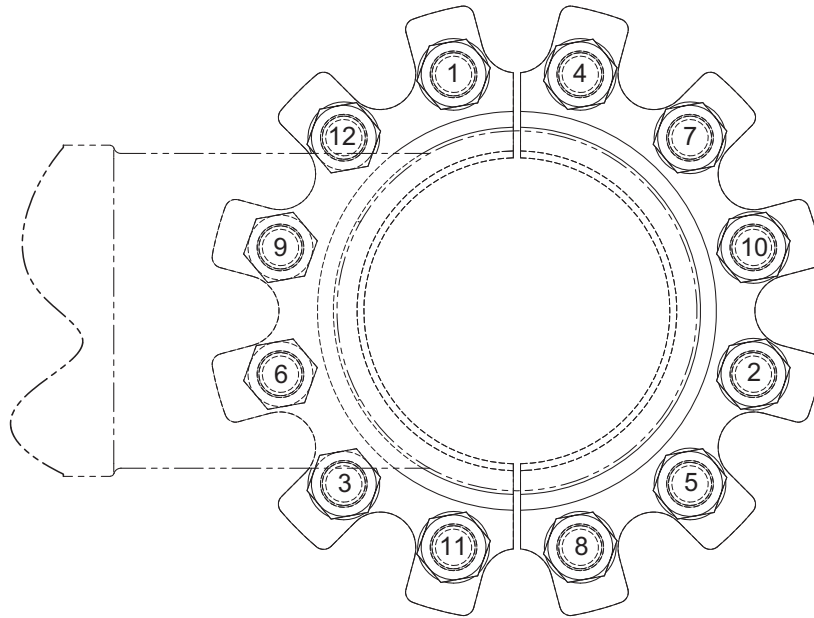


Figure 4: Torque Sequence

4. Apply secondary retention to capscrews per Canrig ENG 701. See Figure 5.

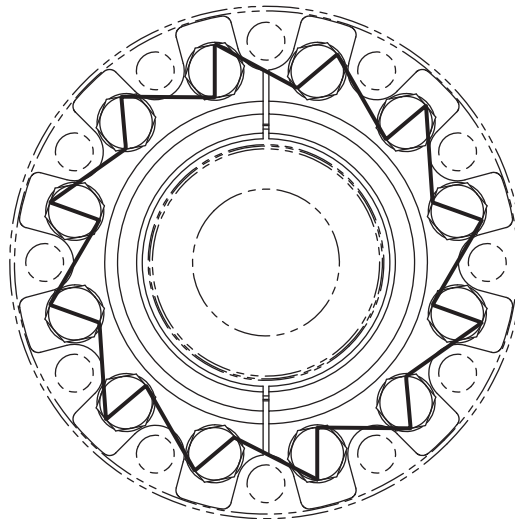


Figure 5: Secondary Wiring Retention