

PC3000-26 Safety Bar Hole Cutouts Upgrade

Models Impacted

Canrig Automated Catwalk with 26" Deck (PC3000-26) series, serial numbers 300323, 300330, 300331, 300333, 300336, 300344, 300347, 300348, 300352, and 300353.

Issue

On the last revision of the PC3000-26 base, a storage box designed to be used to store items for shipping during a rig move was added to the off-drillers side of the Catwalk.

To keep debris from entering the storage box, three holes were omitted from the carrier bed W beam on the off-drillers side (Figure 1). The holes allow for the safety bar to be placed in such manner that the skate winch on the carrier and cable ends are at a workable height when the carrier is down. The hole cutouts are needed to allow the recommended use of the safety bar in this area.

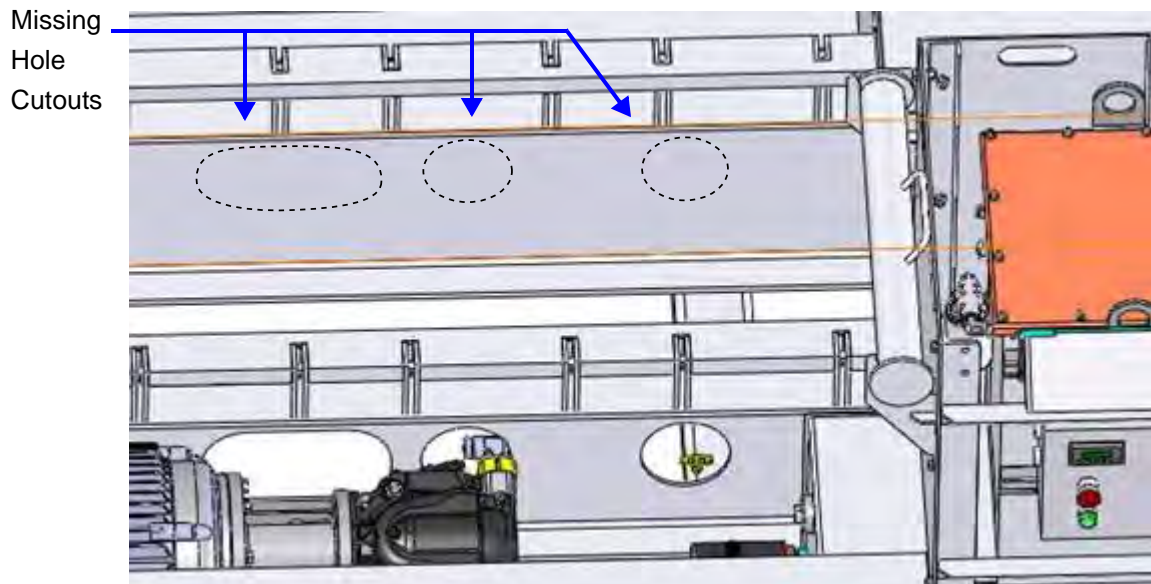


Figure 1: Catwalk Base without Hole Cutouts

Recommendation

Catwalks with floor panels that are hinged and have a junk box require this upgrade. For equipment currently in the field, follow Figure 4 on page 4 to cut new holes and use Safety Bar Hole Cap Kit # AY51041 to install the bar hole caps. This will allow the use of both the safety bar and the storage box (Figure 2).

Contact RigLine 24/7 to order the Safety Bar Hole Cap Kit.

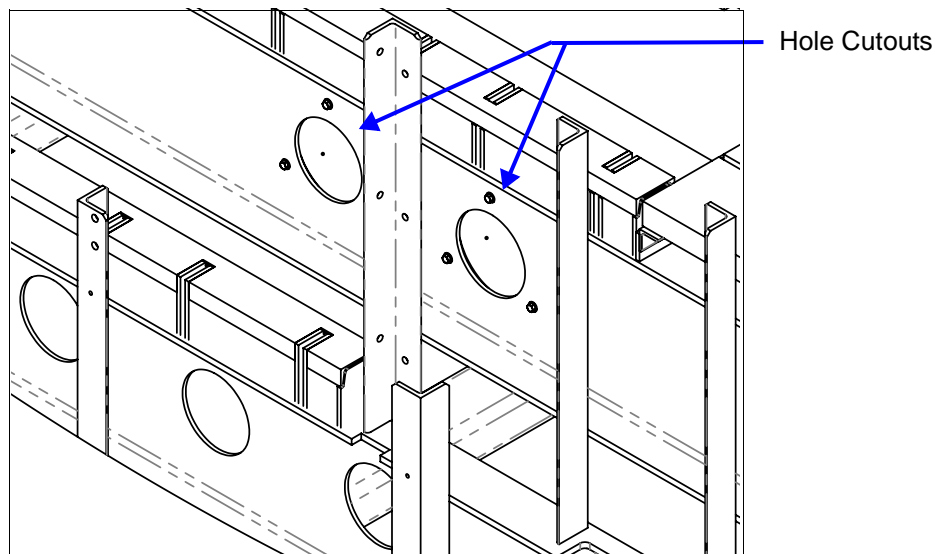


Figure 2: Catwalk Base After Upgrade

Installation

Refer to Figures 3–6 for the installation procedure.

1. Drill six 7/16-diameter holes through the web using the spacer as a template.
2. Install the kit using the provided hardware.

Parts List and Drawings

Table 1: Parts List Kit AY51041

Item	Qty	U/M	Part No.	Description
1	2	EA	141103395	PLATE, SPACER RING
2	2	EA	141103396	PLATE, SPACER CAP
3	12	EA	FW-0375-A-N	WASHER, F, 3/8, PLAIN, NARROW, TYPE A
4	6	EA	LN-0375NC-NL-GR8	LOCKNUT, 3/8-16UNC, NYLOCK, GR8
5	6	EA	HH-0375NC-0250-GR8	CAPSCREW, HEX HD, 3/8-16UNC x 2.50, GR8

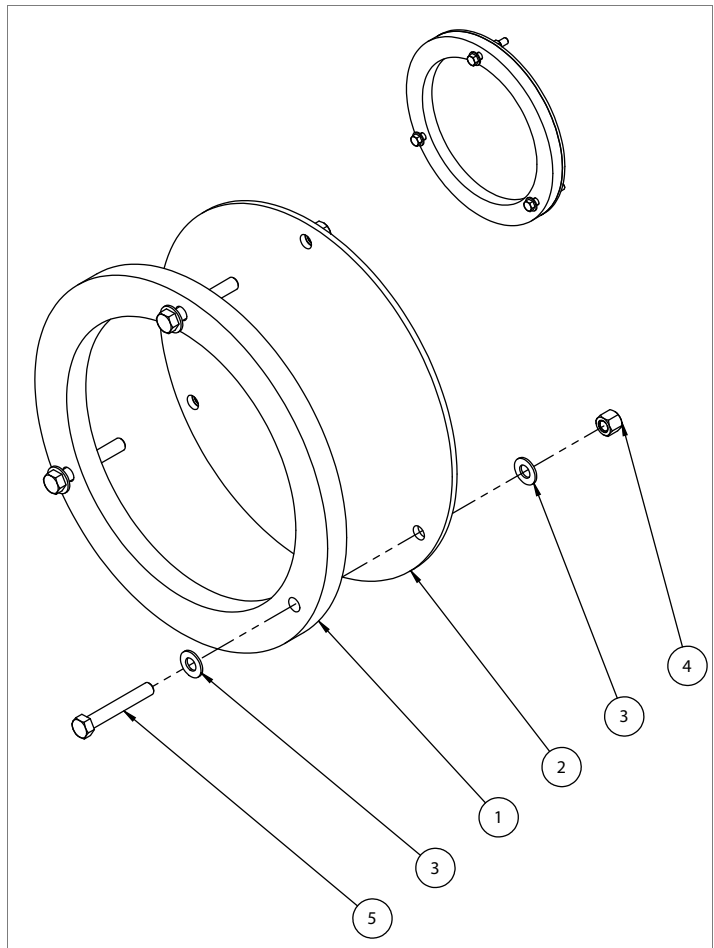


Figure 3: Kit # AY51041

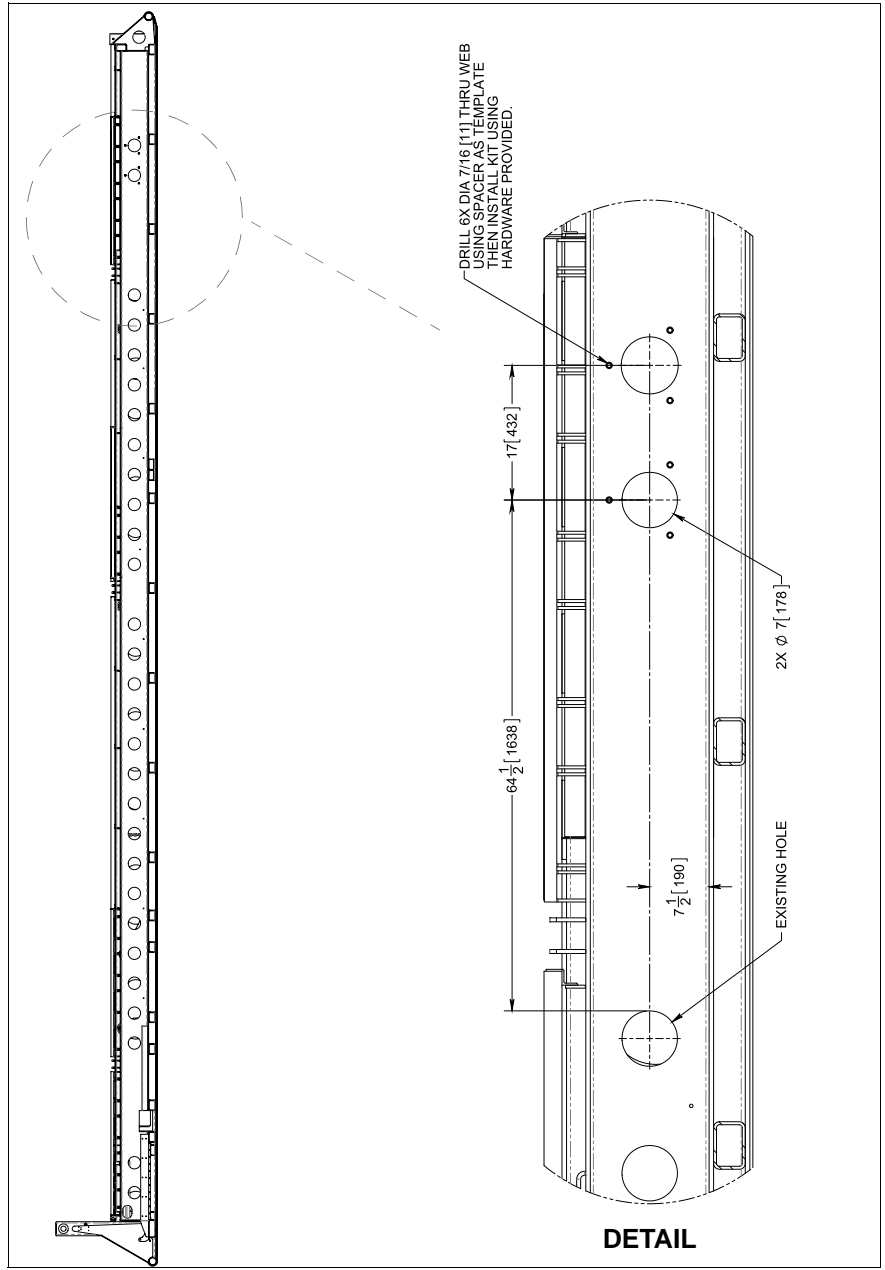


Figure 4: Hole Cutout Details (Reference Drawing 188100094)

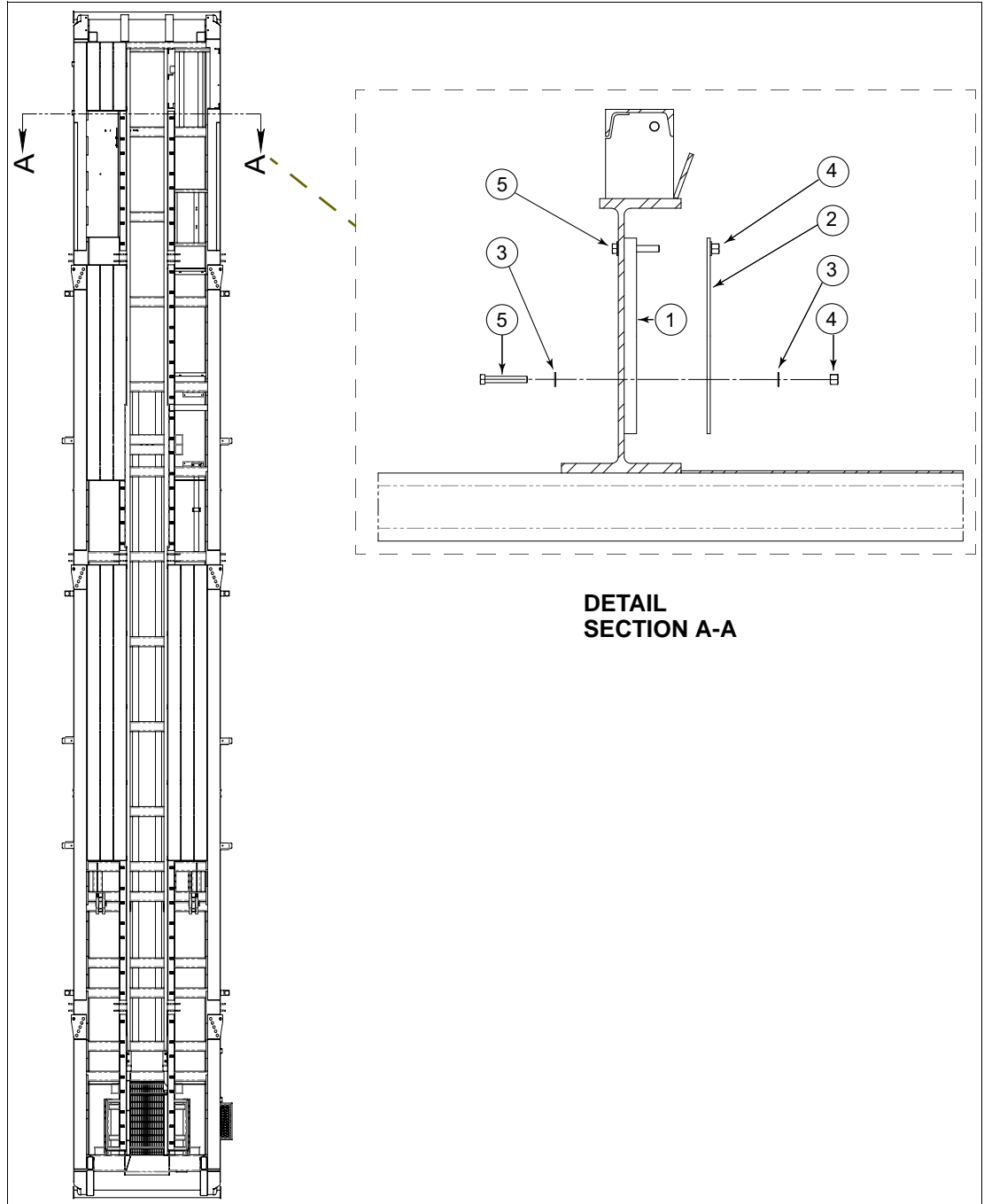


Figure 5: Cap Kit Installation (Reference Drawing 188100094)

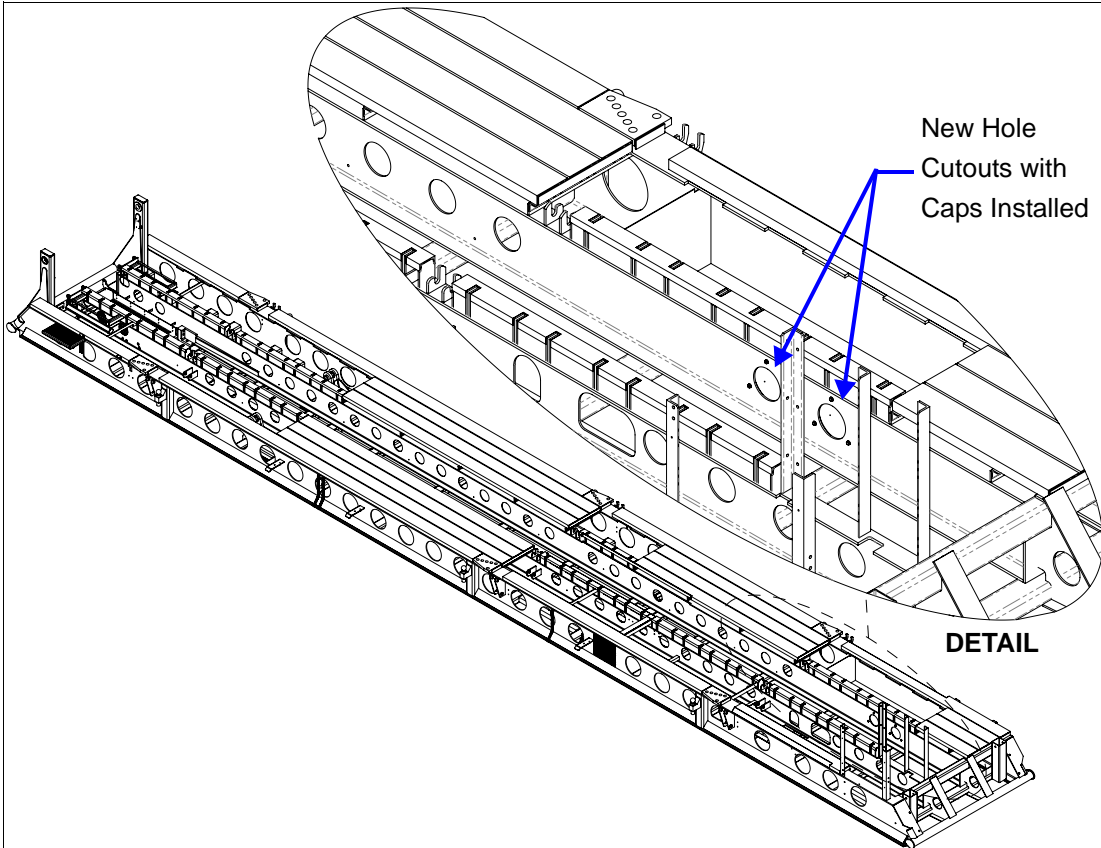


Figure 6: Catwalk Base After Upgrade (Reference Drawing 188100094)