



Model: PC3000/PC4000

Jan. 12, 2023

Serial #: N/A

Product Bulletin # **PC-055 Rev 1**

Alert



Incorrect Skate Cage

Issue

Canrig was informed of an incident where a pipe was dropped from the Catwalk as the rig was using the incorrect skate cage.

Affected Units

All Canrig Automated Power Catwalk models PC3000 and PC4000.

Recommendation

Use the correct skate cage according to the type of tubular being handled, as indicated below.

- Use skate cage for regular operation for tubulars up to 15" OD. See Figure 1 on page 2.
- Use skate cage for casing operation for tubulars from 15" to 24" OD. See Figure 2 on page 3.



WARNING To avoid the risk of pipe dropping out of the catwalk, never use the skate cage for casing when handling tubulars with less than 15" OD.



Model: PC3000/PC4000	Jan. 12, 2023
Serial #: N/A	
Alert	

Skate Cage for Regular Operation (up to 15" OD)

This skate cage or any of its variants (Figure 1) can handle tubulars up to 15" OD. Tubulars above 15" will not fit on it.

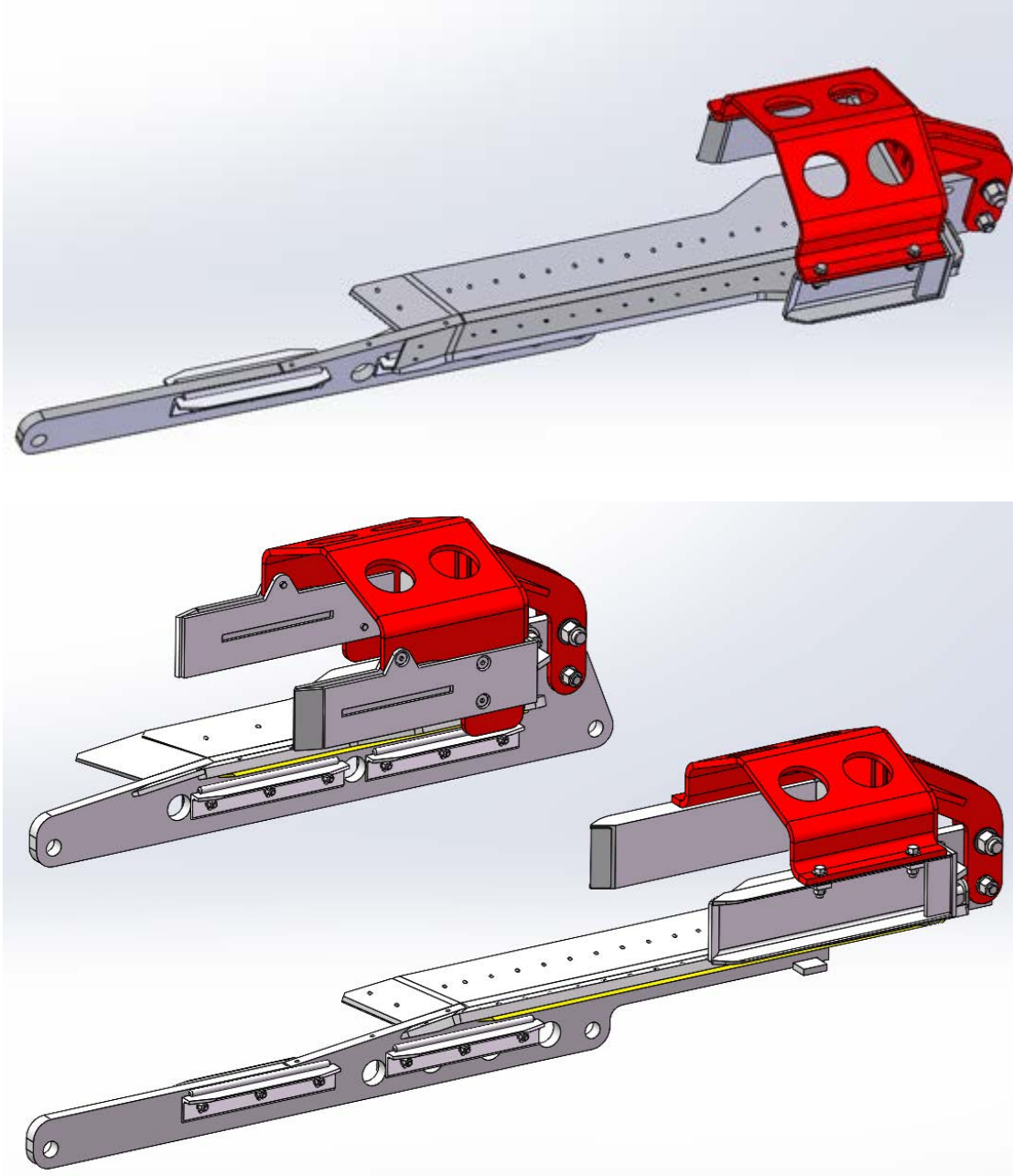


Figure 1: Skate for regular operation



Model: PC3000/PC4000

Serial #: N/A

Jan. 12, 2023

Alert

Skate Cage for Casing Operation (from 15" to 24" OD)

This skate cage (Figure 2) can handle casing from 15" to 24" OD.



WARNING There is a risk of pipe rolling out of the skate and dropping out of the catwalk if tubulars under 15" OD are used with this skate cage.

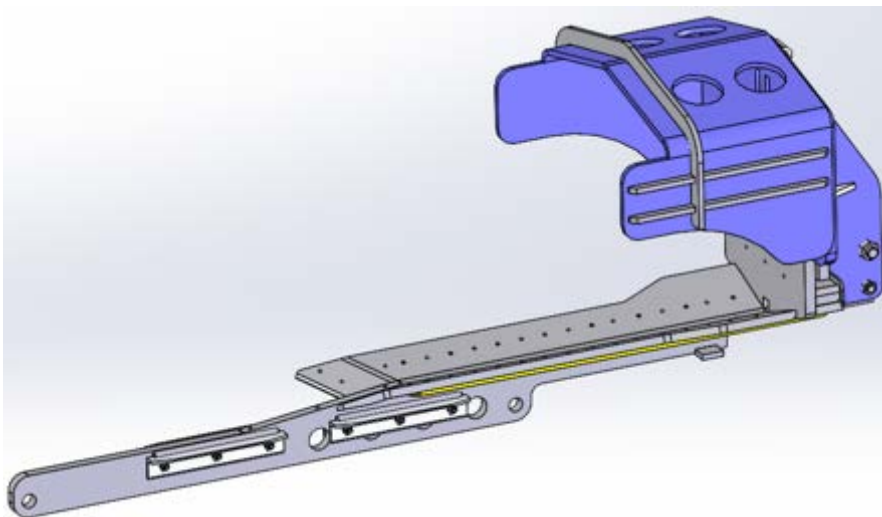


Figure 2: Skate for casing operation

NOTICE

When the casing operation is finished, remove the cage for casing and reinstall the cage for regular operation into the skate.

Contact RIGLINE 24/7™ if you need additional information.