



CANRIG DRILLING TECHNOLOGY LTD

PRODUCT BULLETIN NUMBER: 11

DATE: July 13, 1993

SUBJECT: Safety Retention of Torque Guide Flange Bolts

SERIAL NUMBERS: 002, 004, 007, 008

DISCUSSION: It is important that to prevent the subject bolts from falling should they loosen or break.

RECOMMENDATION: Drill and wire the subject bolts according to Drawing Number B-3-781-20-6.

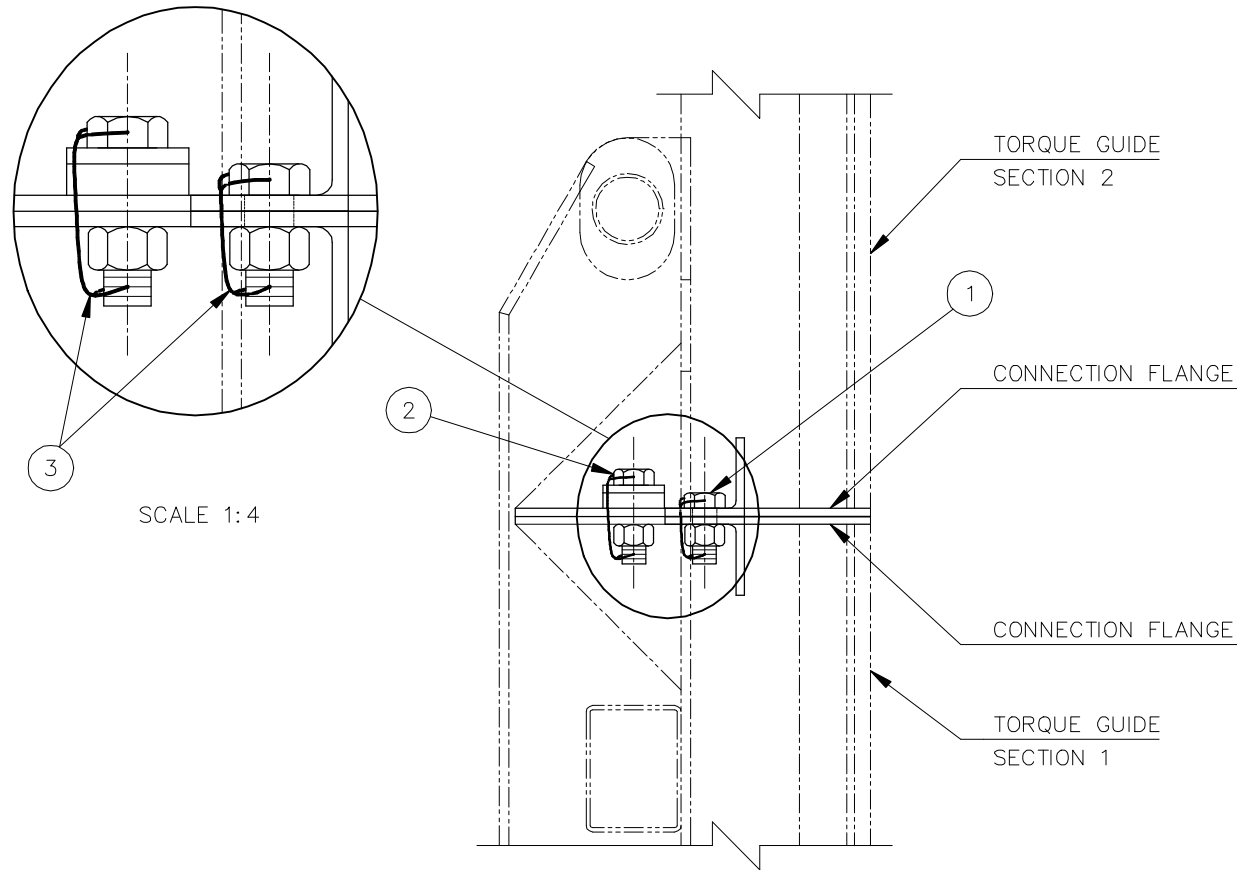
Drilled bolts are also available from Canrig order, Part Number B-3-781-20-7 & B-3-781-20-8.

INFORMATION :

For further information contact:

Field Operations Manager
Canrig Drilling Technology Ltd.
14703 FM 1488
Magnolia, Texas 77354
Phone: 281.259.8887
Fax: 281.259.8158


ITEM	QTY	DESCRIPTION	
1	REF	CAPSCREW	B-3-781-20-7
2	REF	CAPSCREW	B-3-781-20-8
3	AS REQUIRED	LOCK WIRE	12 Ga.



SCALE 1:4

DRILLERS SIDE VIEW

THIS PRINT AND DESIGN AND DETAIL SHOWN THEREON ARE THE PROPERTY AND INVENTION OF CANRIG DRILLING TECHNOLOGY LTD.. THIS PRINT IS FURNISHED WITH THE UNDERSTANDING THAT IT IS NOT TO BE REPRODUCED WITHOUT PERMISSION AND RETURNED UPON DEMAND. ALL RIGHTS OF DESIGN AND INVENTION ARE RESERVED BY CANRIG DRILLING TECHNOLOGY LTD..

TOLERANCE - UNLESS OTHERWISE SPECIFIED					DRAWN	D.P.	93/07/14	 CANRIG DRILLING TECHNOLOGY LTD.	
REMOVE SHARP CORNERS AND BURRS					CHECKED				SAFETY RETENTION OF TORQUE GUIDE FLANGE BOLTS
CASTING ± 1/16					APPR'VD				
FRACTIONAL FABRICATING MACHINING 0 TO 24 ± 1/16 FRACTIONAL ± 1/32 > 24 ± 1/8 DECIMAL .x ± .030 DECIMAL .xx ± .015 0 TO 24 ± .06 .xxx ± .005 > 24 ± .12 ANGULAR ± 1' ANGULAR ± 2' ANGULAR ± 1'					MATERIAL	BY	Y/M/D		
No.	Y/M/D	BY	REVISION	REFERENCE DWGS	EST. WEIGHT	SCALE	PROJECT	B-3-781-20-6 REV	