



CANRIG DRILLING TECHNOLOGY LTD

PRODUCT BULLETIN NUMBER: 58

DATE: March 17, 2000

SUBJECT: Maintenance of Safety Cable on Back-Up Wrench Pipe Deflector

SERIAL NUMBERS: 68-70, 72-75, 77-91, 93-96, 98-110, 112-115, 117-122, 125 and up
All earlier models retrofitted.

DISCUSSION: The Back-up Wrench Pipe Deflector is a guard on the back side of the Back-up Wrench Gripper foot. It is designed to deflect the pipe away from a hydraulic block mounted on the back of the gripper (see attached sketch). If the deflector takes too large an impact, the mounting bolts may be sheared and the deflector may be dislodged from the Top Drive.

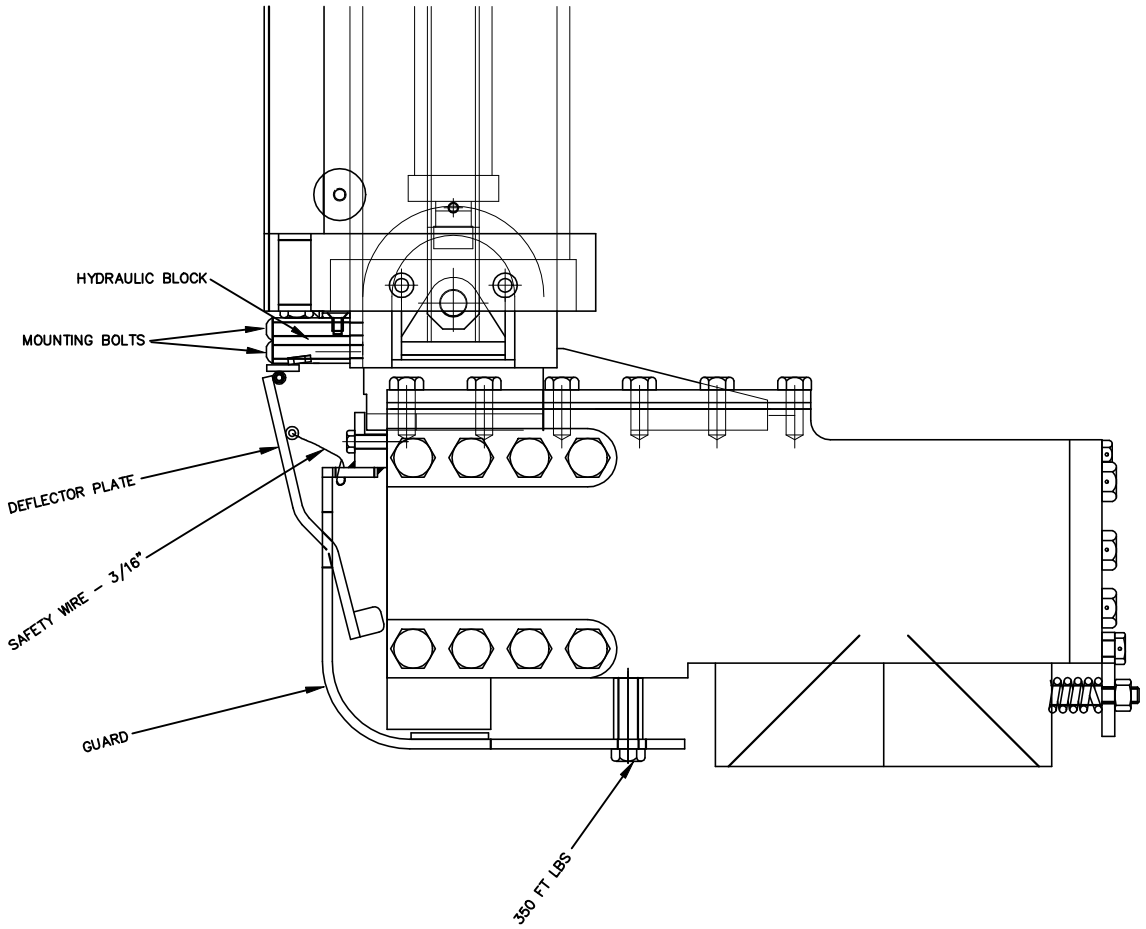
RECOMMENDATION: The deflector plate has a mounting ring welded on the inside of the plate for the attachment of a safety cable. It should be verified that the safety cable for the deflector is firmly attached and is 3/16" (minimum) in diameter. The mounting bolts should be inspected periodically to ensure tightness.

INFORMATION :

For further information contact:

Field Operations Manager
Canrig Drilling Technology Ltd.
14703 FM 1488
Magnolia, Texas 77354
Phone: 281.259.8887
Fax: 281.259.8158

CANRIG DRILLING TECHNOLOGY



BULLETIN NO.	58	DRAWN BY	EMB	SCALE	6.75:1
REV.		DATE	03/20/00	PLOTTED	03/20/00