



DATE: April 5, 2004

SUBJECT: Blower Protection

SERIAL NUMBERS: All 4017AC Top Drives

DISCUSSION: The blower on the top drive has potential to be damaged by tugger lines or the similar. This could cause the blower, or a portion of, to become dislodged from its mount and fall.

RECOMMENDATION:

1. The blower needs to be further protected with the addition of a deflector plate which is welded to the top drive guard. The deflector plate should be constructed as shown in Fig.1. Ensure that the edges shown are well rounded to prevent tugger lines from getting caught on it.
2. Cut away the perforated plate in the area shown in Fig.2. Replace the cut away piece with $\frac{1}{4}$ " thick plate or flat bar which measures 2.50" x 6.00 ". This is to allow a stronger weld between the top drive guard and the deflector plate.
3. Weld the deflector plate onto the lower blower guard as shown in Fig.2. The plate should be centered on the pipe and a $\frac{1}{4}$ " fillet weld should be placed all around the plate on both sides.

INFORMATION:

For further information contact:

Field Operations Manager
Canrig Drilling Technology Ltd.
14703 FM 1488
Magnolia, Texas 77354
Phone: 281.259.8887
Fax: 281.259.8158

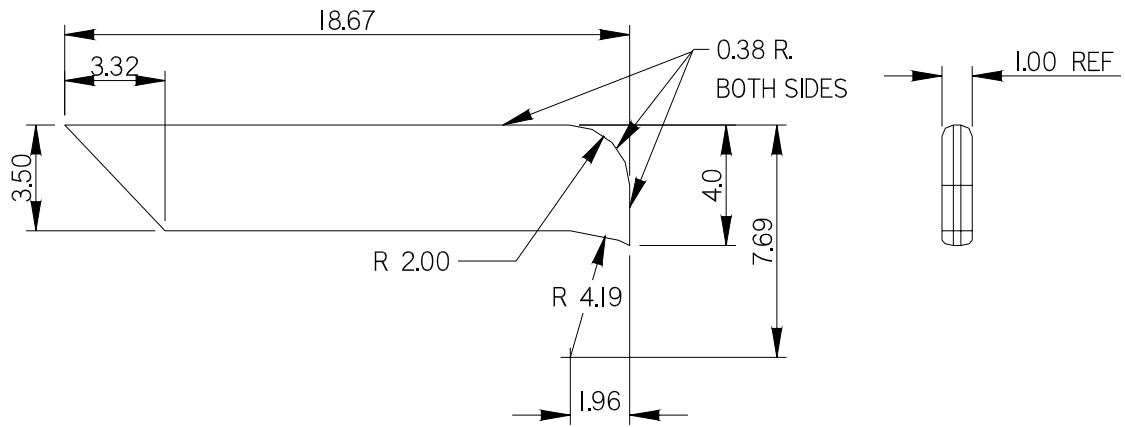


FIG.1

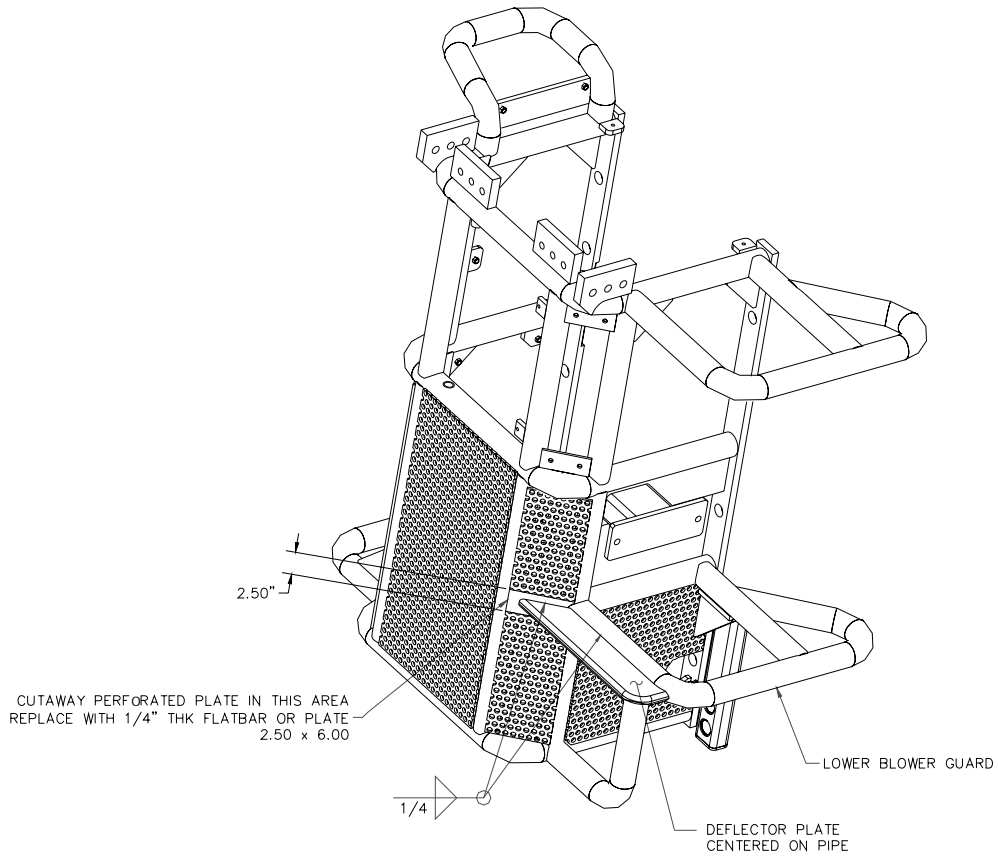


FIG.2