



PRODUCT: Portable TD systems

DATE: 06/12/2008

SUBJECT: Crown Hanger – Clamp Style Bearing Plates

SERIAL NUMBERS: All Portable Top Drives that have crown hangers with clamp style bearing plates.

DISCUSSION: A near miss incident was reported during the installation of the top drive/torque guide. While stabbing the harpoon into the torque guide, the hanger and torque guide was put into a bind which caused the harpoon to lift up on the crown hanger. This upward force of the crown hanger also put the clamp style bearing plate into a bind and caused a piece to break off and fall to the floor.

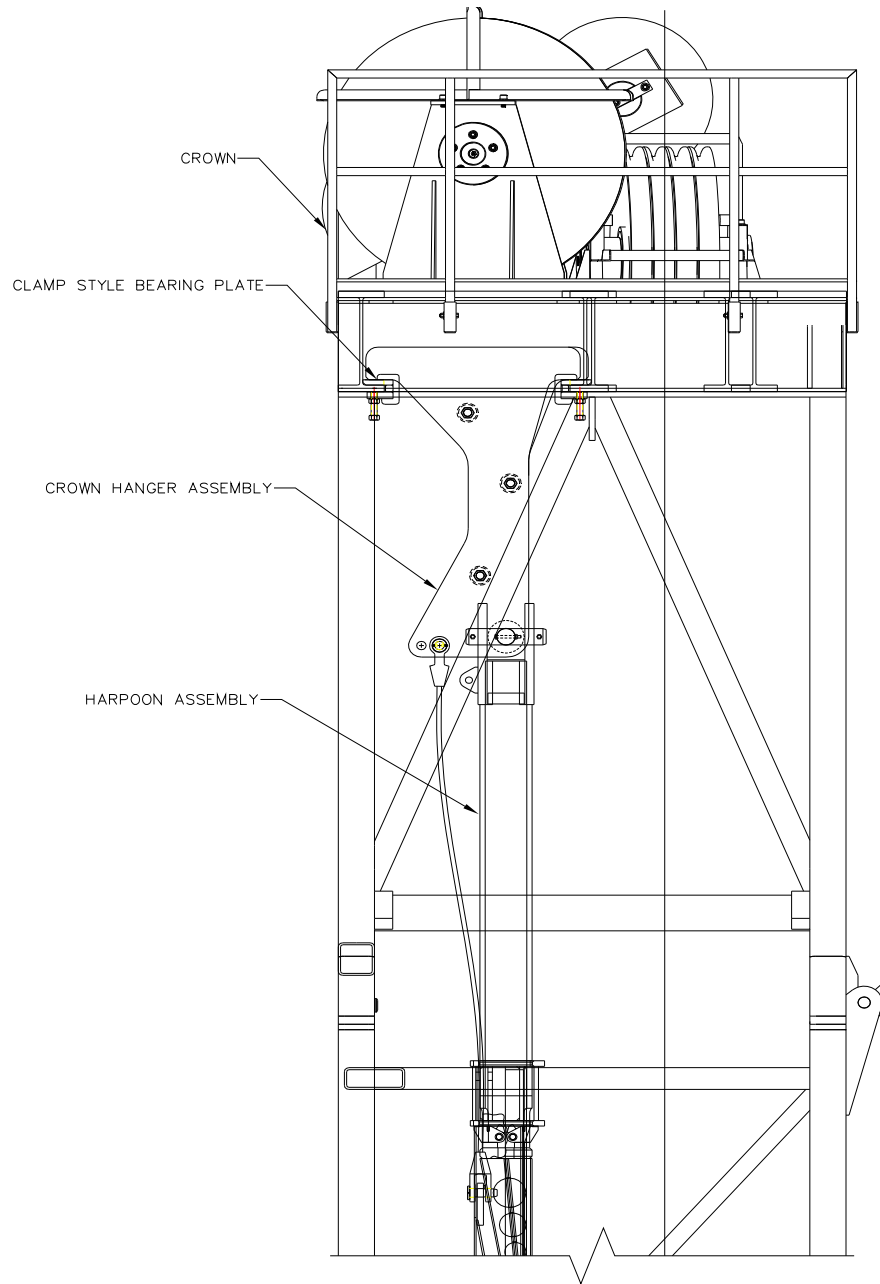
RECOMMENDATION: Identify whether or not you have the clamp style bearing plates. It is part of the crown hanger assembly, which is located in the upper portion of the mast, just under the crown. See [pic # 1](#) for reference.

To eliminate any possibility of the bearing plates falling to the floor; safety wiring any one of the listed options below are acceptable.

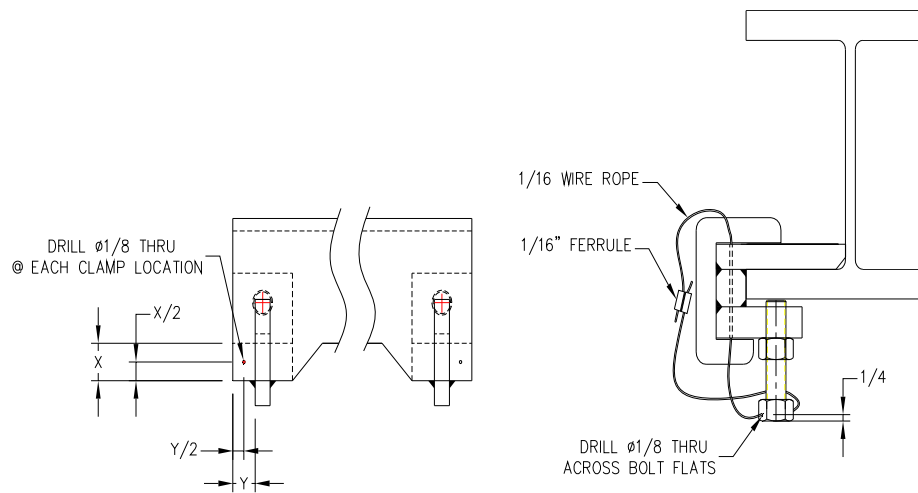
Option 1--- Drill thru bearing plates and bolt as shown and add safety wire.
Option 2--- Weld chain link or quick link to bearing plates, drill thru bolt and add safety wire.

Regardless of the option chosen, be sure to safety wire these back to a secure place in the crown or the crown hanger assembly.

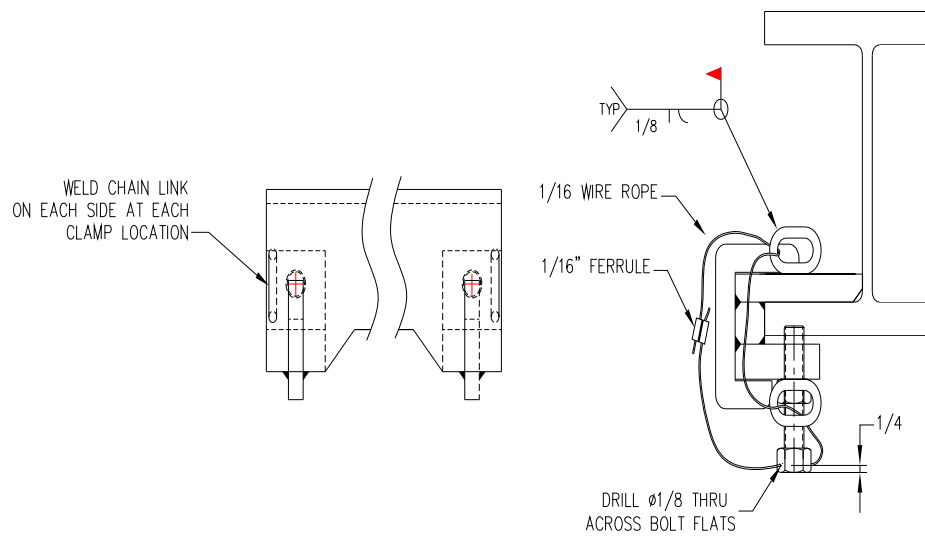
These options are not to be considered as a substitute for regular maintenance inspections during rig moves.



PIC # 1- TOP OF MAST



OPTION 1



OPTION 2

INFORMATION:

For further information contact:

For a complete list of all bulletins go to www.canrig.com

Field Service
 Canrig Drilling Technology Ltd.
 14703 FM 1488
 Magnolia, Texas 77354
 Phone: 281.259.8887
 Fax: 281.259.8158

7475 51 Street SE
 Calgary, AB T2C 4L6
 Phone: 403.237.6400
 Fax: 403.233.2667

This page intentionally left blank