

PRODUCT: AUTOMATED CATWALKS PC900, PC1000

DATE: 11-Jan-10

SUBJECT: PC900/PC1000 REMOTE MALFUNCTION

SERIAL NUMBERS: PM1000-1001 thru 1027, PC1000-2001 thru 2017, 103019 thru 103032
PC900-1001, 090002 thru 090005

DISCUSSION: There has been an incident where the wireless receiver acted irregularly. The operator indicated that there were unwarranted functions occurring when the remote control's functions were not being used.

RECOMMENDATION:

To protect against dropped tubulars Canrig recommends that the existing pipe arm extensions be installed as shown in the attached drawing 188100015 if no pipe racks are being used on that side of the Catwalk.

It is also recommended that the current wiring harness in the receiver, as well as the address chips in the remote and receiver, be replaced with Kit AY50698 to increase the "deadband" and desensitize the paddles. Instructions for the replacement of these parts will be provided with the kit.

Please contact your Field Service Coordinator with the following information to arrange shipment of the warranty Kit AY50698.

Catwalk Serial Number: _____

Radio System Number: _____

Receiver System Number: _____



Radio



Receiver

INFORMATION:

For further information contact:

For a complete list of all bulletins go to www.canrig.com

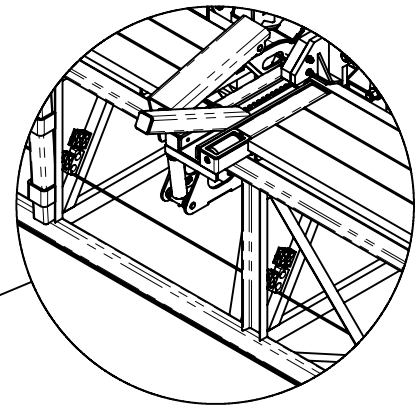
Field Service
Canrig Drilling Technology Ltd.

14703 FM 1488
Magnolia, Texas 77354
Phone: 281.259.8887
Fax: 281.259.8158

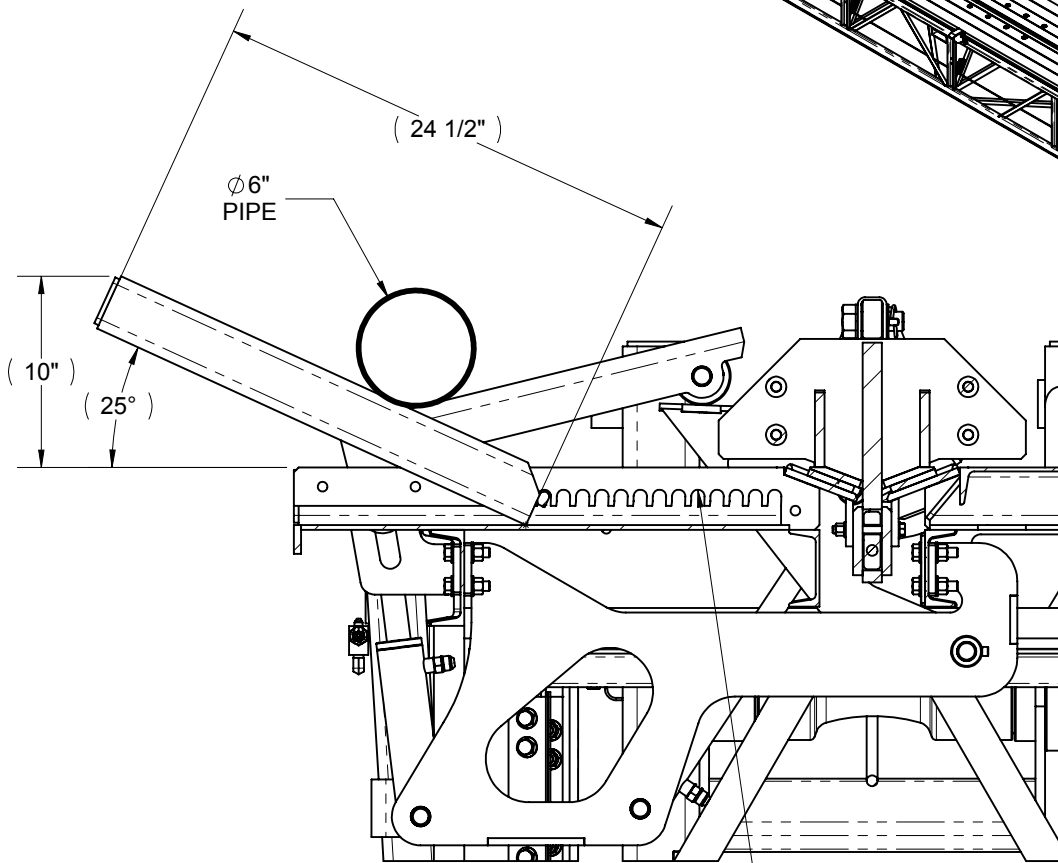
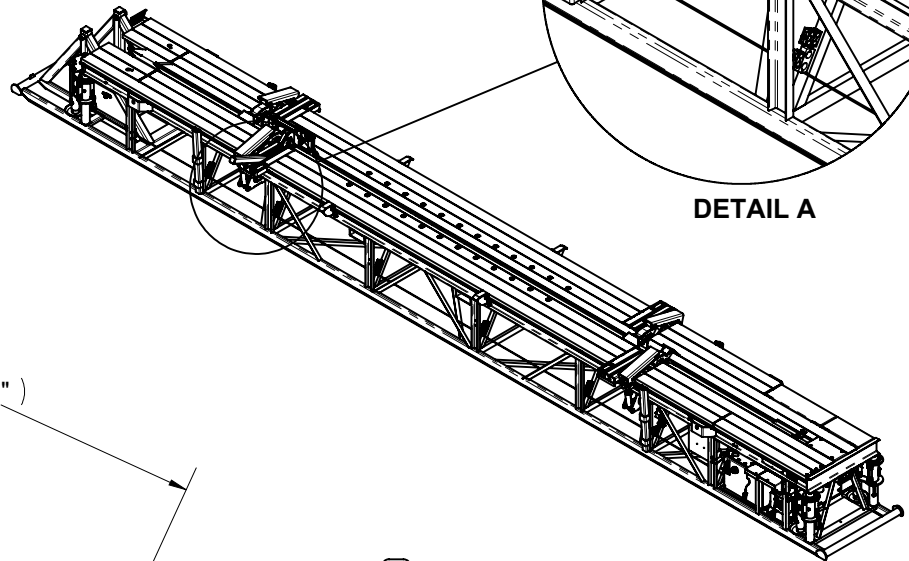
7475 51 Street SE
Calgary, AB T2C 4L6
Phone: 403.237.6400
Fax: 403.536.4605

NOTE:

1. IF A SECONDARY BARRIER IS REQUIRED
2. FLIP THE SHORT PIPE ARM UPSIDE DOWN
3. INSERT AS SHOWN
4. REPEAT FOR THE SECOND ARM ON THE SAME SIDE

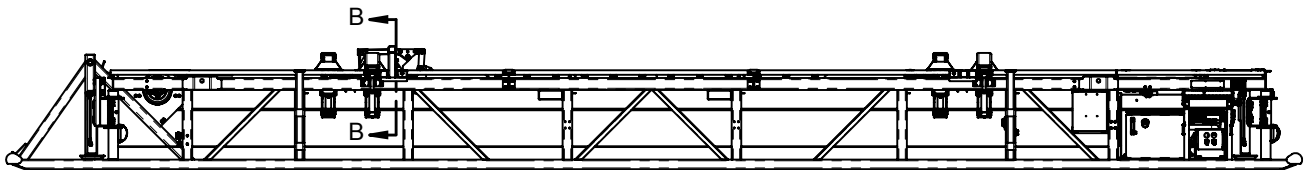


DETAIL A



SECTION B-B

DO NOT INSERT PAST THIS POINT
DOING SO WILL DAMAGE THE SKATE



REV.	DESCRIPTION	DATE
01	RFM	03/11/2009

© 2009 CANRIG DRILLING TECHNOLOGY CANADA LIMITED
ALL RIGHTS RESERVED

THE DRAWINGS, INFORMATION AND SUBJECT MATTER HEREOF ARE THE CONFIDENTIAL, SOLE AND EXCLUSIVE PROPERTY OF CANRIG DRILLING TECHNOLOGY CANADA LTD. AND ARE NOT TO BE COPIED, REPRODUCED, OR USED IN ANY MANNER FOR ANY PURPOSE WHATSOEVER WITHOUT WRITTEN CONSENT OR DIRECTION.



7475 51 Street SE
Calgary, Alberta, Canada, T2C 4L6
Website: www.canrig.com
Bus. (403) 237-6400 Fax. (403) 233-2667

TITLE: PC1000 SECONDARY BARRIER				
DRAWN BY:	DATE:	DRAWING NO:	SHEET:	REV:
-	03/11/2009	188100015	1 OF 1	01