

PRODUCT: AUTOMATED CATWALKS

DATE: August 15, 2011

SUBJECT: PC3000 LIFT ARM PIN RETAINER

SERIAL NUMBERS: PM3000-1001 to PM3000-1160 / 300158 to 300221

DISCUSSION: The pin attaching the lift arm with carrier is currently held in place by 4 set screws. In some instances, the pin may work itself loose from the grip of the set screws and slide out of place.

RECOMMENDATION: **Overview:** Attach a plate on both sides of the pin to physically prevent the pin from sliding too far out of position. This will prevent the pin from reaching a point where the lift arm and carrier connection fails. The plate will be easy to install by simply tapping holes in the lift arm as specified by drawing AY50765, and bolting plate in place. Plate will not interfere with grease point for pin to retain full function ability.

Materials Required:

RUST PREVENTION PAINT (I.E. RUSTOLEUM)

AY50765 – KIT, PIN RETAINER, LIFT ARM, PC3000

AY 50765 BOM:

Part: AY50765

Description: KIT, PIN RETAINER, LIFT ARM, PC3000

Eng ID: 0

Drawing ID: AY50765

Rev No: 01

Item	Qty	Units	Part ID	Eng ID	Description
01	2.00	EA	141102774		RETAINER PLATE, LIFT ARM PIN
02	4.00	EA	LW-0250-HS		LOCKWASHER, 1/4 HELICAL SPRING
03	4.00	EA	HH-0250NC-0063-GR8		CAPSCR, HEX HD, 1/4-20UNC x 0.63, GR8
	1.00	EA	M13126		DRILL BIT, 3/16, JOBBER
	1.00	EA	M13127		TAP, 1/4-20UNC, RH, SPIRAL POINT

Safety Considerations:

Perform a Job Safety Analysis (JSA), ensure that proper PPE is worn, catwalk is shutdown, and follow local lockout/tagout procedures.

Procedure:

Step 1: Drill and tap the bolt holes on the lift arm as shown in Figure 1. Deburr as needed and paint with appropriate color rust prevention paint (i.e. Rustoleum).

STEP 1: TAP 1/4" HOLES.

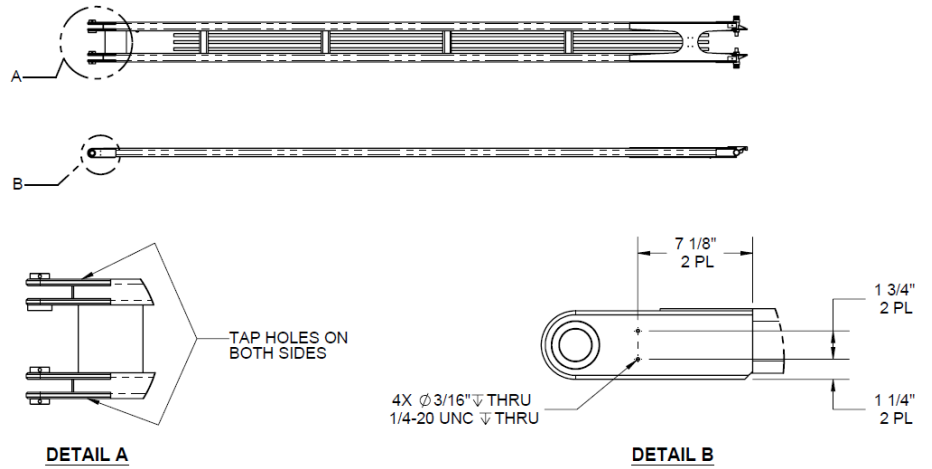


Figure 1

Step 2: Add plate hardware as shown in Figure 2. Note that the plate will not interfere with the grease point for the pin to retain full function capabilities.

STEP 2: ADD PLATE WITH HARDWARE.

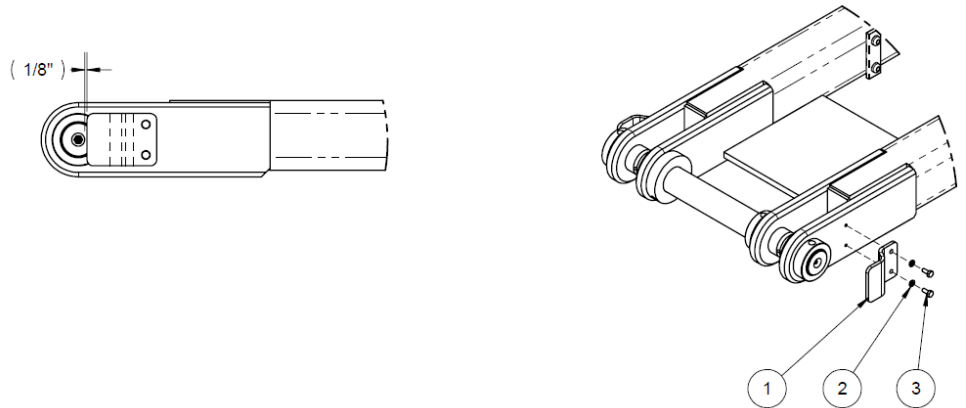


Figure 2

INFORMATION:

For further information contact:

For a complete list of all bulletins go to www.canrig.com

Canrig Support
Canrig Drilling Technology Ltd.

8223 Willow Place South
Houston, TX 77070
Phone: 281.774.5600
Fax: 281.774.5610

7475 51 Street SE
Calgary, AB T2C 4L6
Phone: 403.237.6400
Fax: 403.536.4605