

Safety Bulletin

No: SB040

Rev: 1

Date: 23 June 2008

Description: EMI 400 Blower Motor
Mounting Plate



Tesco Corporation
6204 – 6A Street SE
Calgary, AB. T2H 2B7
Phone: (403) 692 5700
www.tescocorp.com

BACKGROUND INFORMATION:

An incident occurred where the blower motor on an LTI TT400 induction motor became detached from its mounting plate (see Figure 1b). These motors are built by LeTourneau Technologies, Inc. (LTI) and can be identified as such on the motor data plate. A subsequent incident investigation determined that LTI had occasionally substituted a mounting plate of insufficient thickness which prevented the motor from being tightly bolted to the mounting plate. This left the motor slightly loose and able to vibrate during operation leading to failure of the motor mounting bolts and eventual detachment from the mounting plate. Additional details are provided in the attached LTI Product Bulletin LTI-PB-MTR-001.

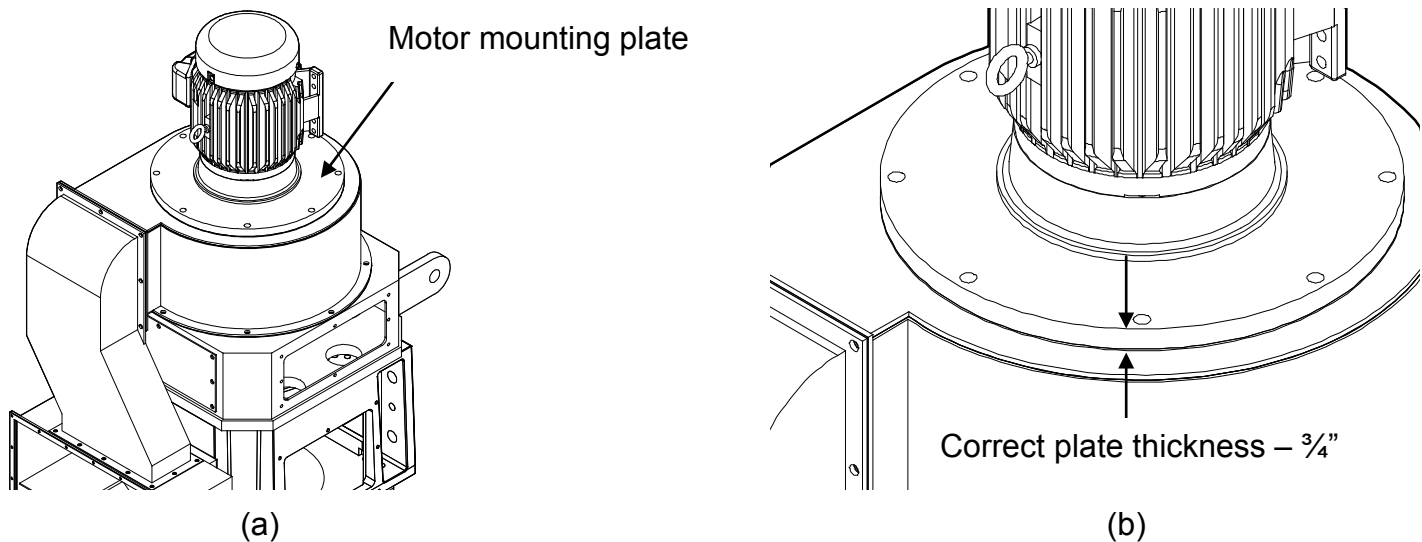


Figure 1 – (a) Blower motor mounting plate, (b) plate thickness

AFFECTED PRODUCT:

Due to the lack of traceability of the mounting plate substitution by LTI, this safety bulletin applies to ALL TESCO EMI400 model top drives equipped with the LTI TT400 motor, manufactured prior to June 20, 2008. Only LTI (formerly OEM) TT400 motors are impacted; this bulletin does not apply to TESCO EMI400 units equipped with Ward Leonard motors.

ACTION REQUIRED:

STOP USE IMMEDIATELY UNTIL INSPECTION IS COMPLETED.

1. Inspect and measure the blower motor mounting plate thickness as shown in Figure 1b.
2. If plate thickness is less than $\frac{3}{4}$ " nominal, remove from service and contact your local TESCO representative to order a replacement motor mounting plate.
3. If applicable replace motor mounting plate. Ensure thread locking compound and safety wires are replaced as necessary.

Contact your local TESCO Parts and Service Center for further information regarding this bulletin and/or supply of affected components noted above.

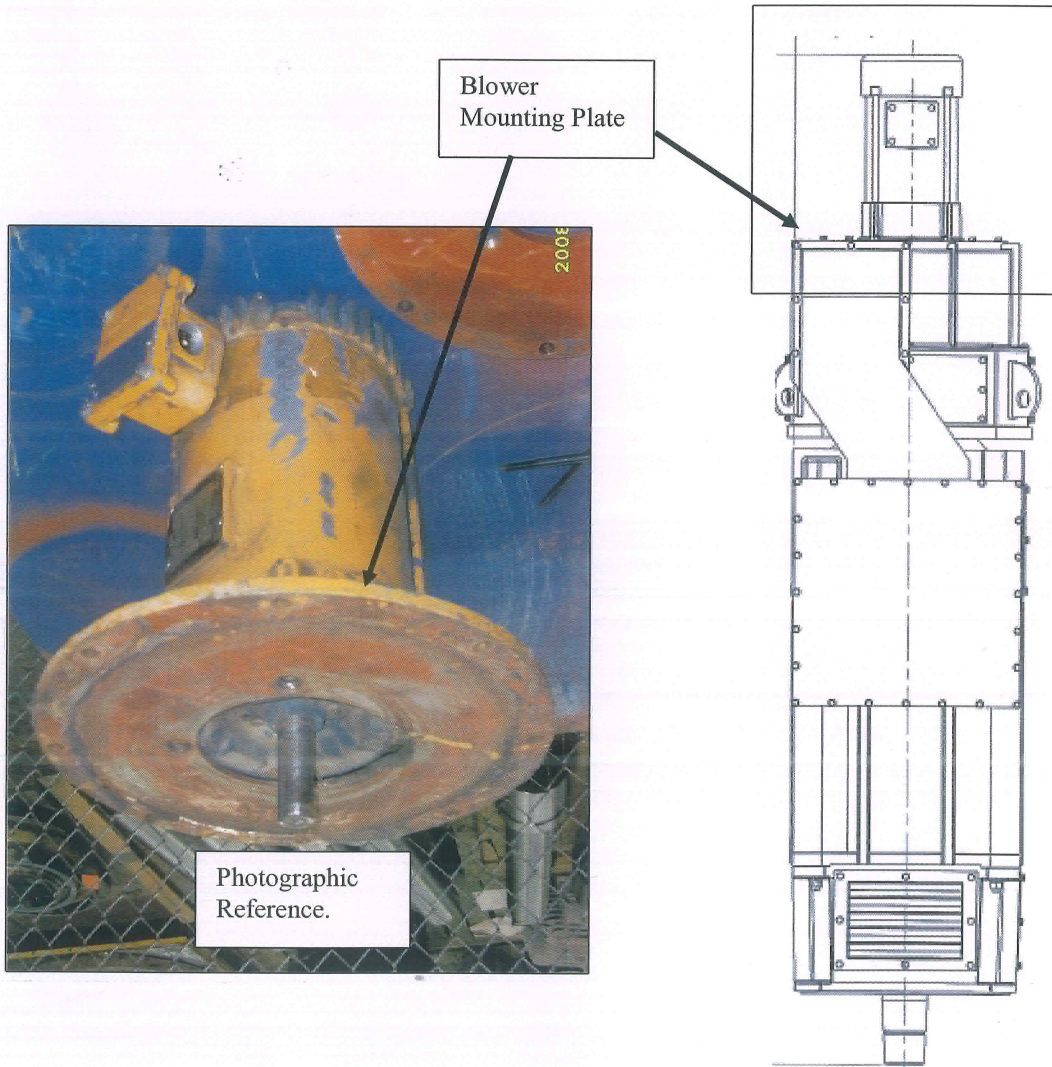
Issued By: Sean Clarke

URGENT

Tesco 400HP Top Drive Motor

RISK OF PERSONAL INJURY OR DEATH
STOP USE AND INSPECT BEFORE RESUMING USE
IMMEDIATE INSPECTION REQUIRED

1.0 Description of Affected Products : Tesco 400HP Top Drive Motor



Approved by: Joe Hope
Engineer Manager – Motor Division

J. Hope 6/19/08

Once this document is printed, it is deemed "Uncontrolled"

2.0 Issue: The mounting plate supplied with some Tesco 400HP motors was of insufficient thickness. In some models the countersunk fasteners that attach the blower motor do not seat against the plate when fully tightened. This causes the blower motor to vibrate freely and damage the mounting plate and possibly shear the bolts. **The result is that the blower motor may become loose and present a falling object hazard to personnel.**

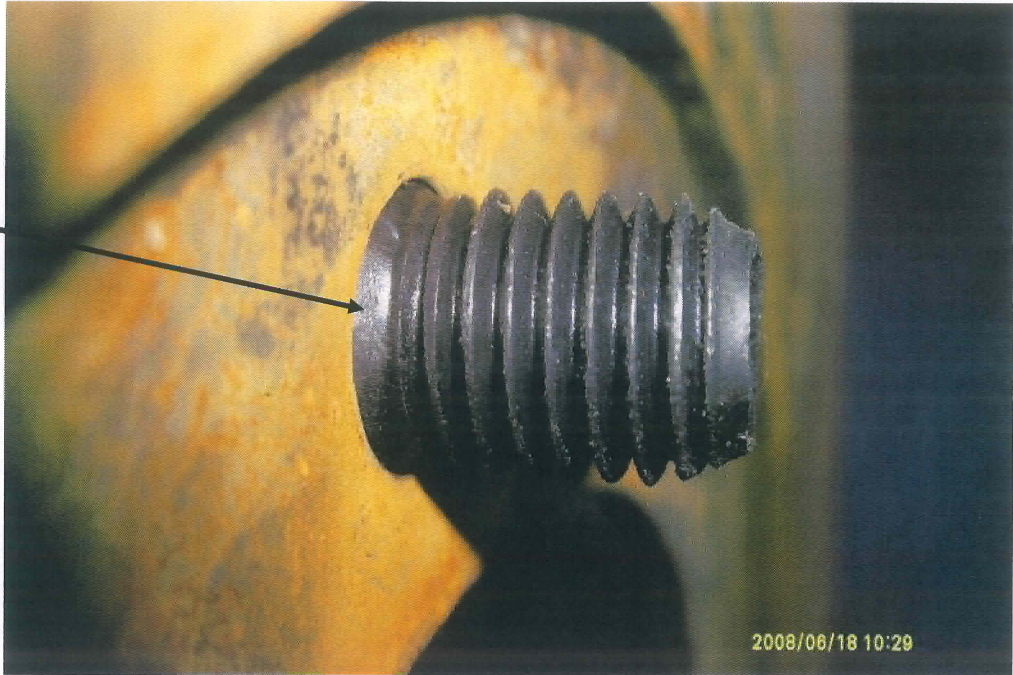
DAMAGED
BLOWER MOUNT
PLATE



Approved by: Joe Hope
Engineer Manager – Motor Division *J. Hope 6/19/08*

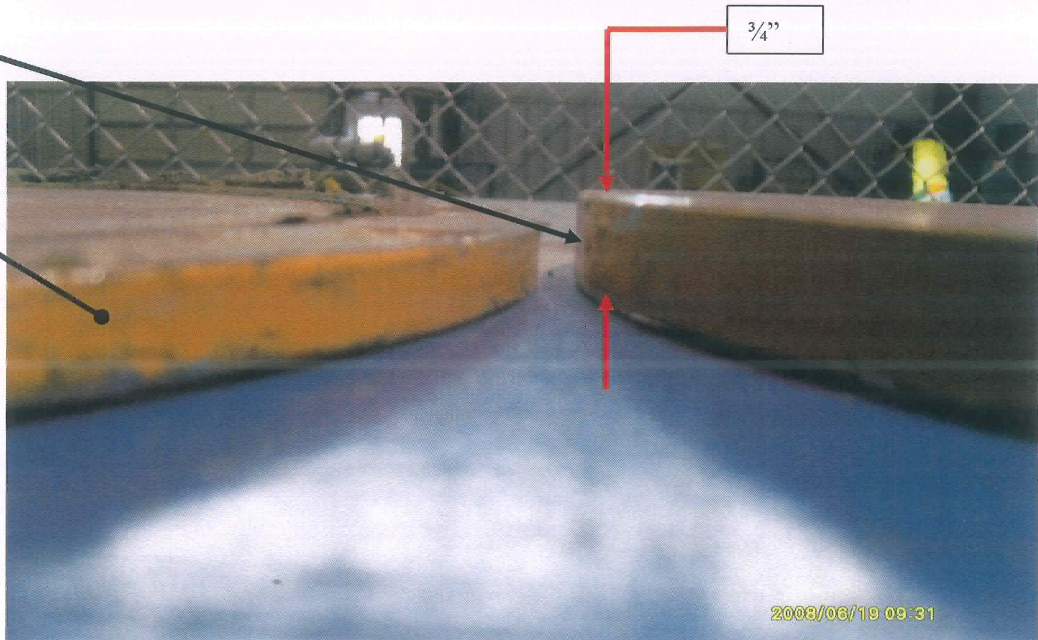
Once this document is printed, it is deemed "Uncontrolled"

Protruding countersunk head prevents secure attachment of the blower motor.



OK FOR SERVICE

REMOVE FROM SERVICE
-TOO THIN



Approved by: Joe Hope
 Engineer Manager – Motor Division *J.G. Hope 6/19/08*

Once this document is printed, it is deemed "Uncontrolled"

 LeTourneau TECHNOLOGIES™ POWER SYSTEMS DRILLING SYSTEMS	Product Bulletin	LTI-PB-MTR-001
		Rev. 01
		Issued Date: 6/19/08
		Page 4 of 4

3.0 Fix: The fix is to first determine if the plate is of proper thickness. Measure the plate to assure it is of 3/4" nominal size. If it is less than 3/4" remove from service and replace with LTI replacement part prior to being placing top drive back in service.

Action(s): STOP USE IMMEDIATELY; CEASE USE UNTIL INSPECTION IS COMPLETED; Identify the blower plate type. If it is less than 3/4" remove from service and contact Le Tourneau Technologies Drilling Systems, Inc. field service department (Joe Hope, Engineer Manager 713-983-4811) for part number OEM4010A-K011 for a direct replacement. Replace with replacement part prior to being placed back in service.

4.0 Drawing References :

OEM4010A-K011

Approved by: Joe Hope Engineer Manager – Motor Division	 6/19/08
--	--

Once this document is printed, it is deemed "Uncontrolled"